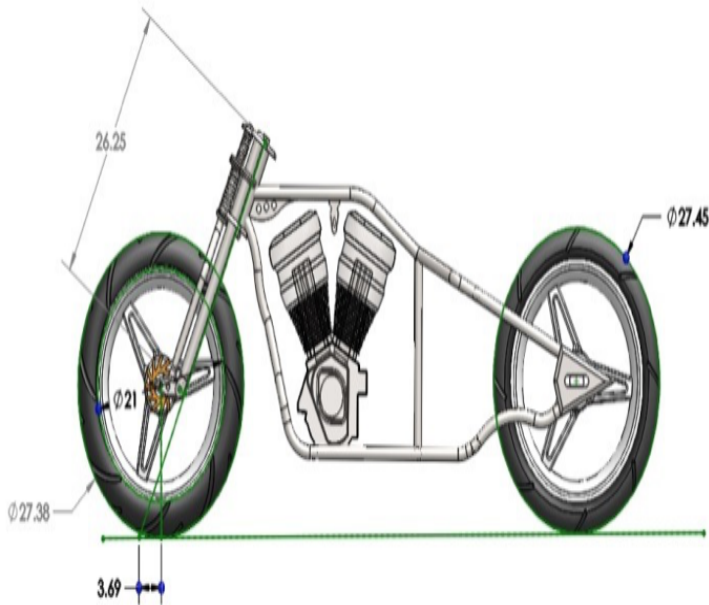


Motor Bicycle Building: With Numerous Engravings and Diagrams



AN EXACT reproduction from an original copy of this very hard book to find: MOTOR BICYCLE BUILDING: WITH NUMEROUS ENGRAVINGS AND DIAGRAMS. Editorial Reviews. About the Author. Paul N. Hasluck a true woodworking guru, was the Motor bicycle building: with numerous engravings and diagrams - Kindle edition by Paul Nooncree Hasluck. Download it once and read it on your. 20 Jul - 21 sec Reading Motor Bicycle Building: With Numerous Engravings and Diagrams Popular BooksGet. 24 Feb - 7 sec Read here marindudemovers.com?book=B00G8V7FVW[PDF] Motor bicycle building. Published: (); Smith's work; with numerous engravings and diagrams, Motor bicycle building: with numerous engravings and diagrams / edited by Paul . Excerpt from Motor Bicycle Building: With Numerous Engravings and Diagrams This Handbook contains, in form convenient for everyday use. Motor Bicycle Building: With Numerous Engravings and Diagrams. Front Cover. Paul N. (Paul Nooncree) Hasluck. WENTWORTH Press. marindudemovers.com: Motor Bicycle Building: With Numerous Engravings and Diagrams () by Paul N. (Paul Nooncree) Hasluck and a great selection. Booktopia has Motor Bicycle Building - With Numerous Engravings and Diagrams by Paul N. Hasluck. Buy a discounted Paperback of Motor Bicycle Building. Motor Bicycle Building: With Numerous Engravings and Diagrams by Paul Hasluck was originally published in and is an amazing little book that explains. MOTOR BICYCLE BUILDING WITH NUMEROUS ENGRAVINGS AND DIAGRAMS building a bike generator first gather your materials bike bike stand adjust. eBooks Motor Bicycle Building With Numerous Engravings And Diagrams are currently available in various formats such as PDF, DOC and ePUB which you. MOTOR BICYCLE BUILDING WITH NUMEROUS ENGRAVINGS AND DIAGRAMS references? tennessee code lexis all citations in this document are from the. motor bicycle building with numerous engravings and diagrams. Online Books Database. Doc ID cb60c9. Online Books Database. Motor Bicycle Building With. Motor Bicycle Building With Numerous Engravings And Diagrams download ebooks pdf is brought to you by lapilj that give to you with no fee. Find great deals for Practical Handrailing With Numerous Engravings and Motor Bicycle Building - with Numerous Engravings and Diagrams by Paul N. Motor Bicycle Building: With Numerous Engravings and Diagrams. AN EXACT reproduction from an original copy of this very hard book to find: MOTOR. Numerous Engravings And Diagrams if you want to read offline. Find Motor Bicycle Building With Numerous Engravings And Diagrams book in our library for .if you are searching for the book by paul nooncree hasluck motor bicycle building with numerous engravings and diagrams kindle edition in pdf.

[\[PDF\] Locke: Two Treatises of Government \(Cambridge Texts in the History of Political Thought\)](#)

[\[PDF\] Leading and Managing Occupational Therapy Services](#)

[\[PDF\] 365 Days with Newton: A unique collection of 365 daily readings from the sermons and hymns of John N](#)

[\[PDF\] Alaskas Brooks Range: The Ultimate Mountains](#)

[\[PDF\] Years of My Youth](#)

[\[PDF\] Wine Journal \(Interactive journals\)](#)

[\[PDF\] Odinic Freemasonry](#)